

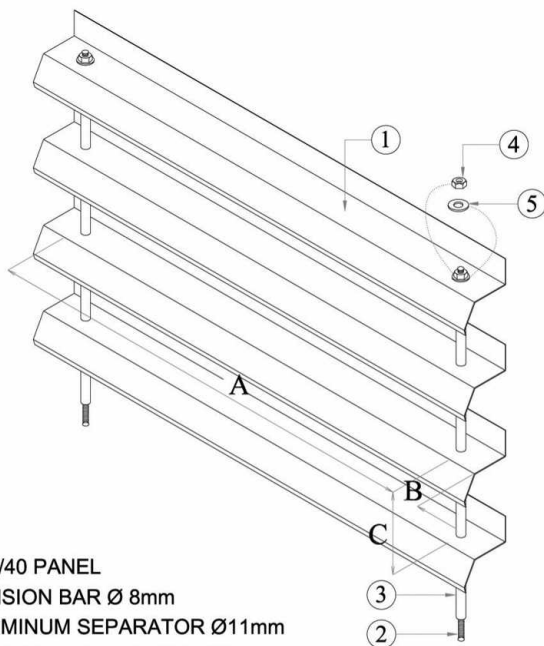
Description:

DX-CS series Celoscreen Sun Louvers are made up of 0.6mm thick aluminum panel, roll formed, in “S” shapes, Vertical height is 23mm or 40mm. The “S” panels can also be installed by ϕ 8mm threaded rod, ϕ 11mm aluminum circular tube. It can also be fixed to the carrier directly by screw. The surface of the panel can be PVDF spraying, powder coating or pre-painted.

Structure& Installation :

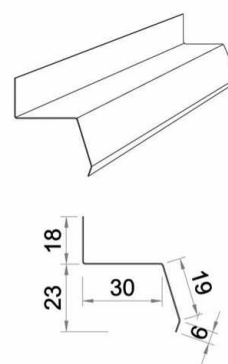
DX-CS series Celoscreen Sun Louvers panels are supported by steel angle, which is hidden in the panel, without any frame. “S” panel and ϕ 11mm aluminum circular tube align to grid, assembly separately, and then fixed to ϕ 8mm threaded rod by screw to steel angle. Two sets of vertical sun louvers panels are connected at the end of ϕ 8mm threaded rod.

The “S” panel can also be fixed to the carrier (square tube, steel angle or U shaped groove) directly. It is applicable on all sites and all shapes. It can be used as sun louvers, waterproof, lower cost, install easy.

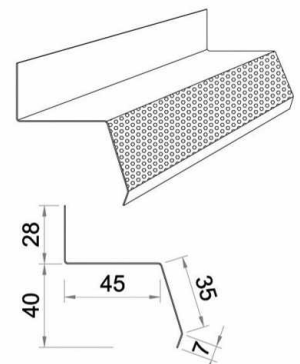


- 1. C23/40 PANEL
- 2. TENSION BAR ϕ 8mm
- 3. ALUMINUM SEPARATOR ϕ 11mm
- 4. ZINC COATED JAM NUT ϕ 8mm
- 5. ZINC COATED WASHER ϕ 8mm

MAXIMUM DIMENSIONS	A	B	C
CS23	900	150	35~55
CS40	900	150	60~80

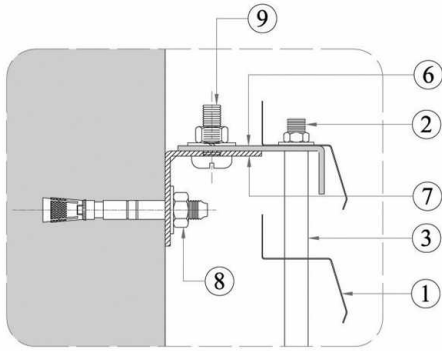


CS23-PRODUCT DETAILS

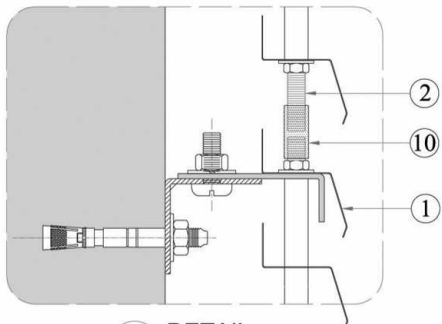


CS40-PRODUCT DETAILS

SUN LOUVRE	MATERIAL	THICKNESS		RECOMMENDED MAX. LENGTH		COLORS
		mm	in	m	ft	
CS23	Aluminum	0.6	0.24	4	12.8	Various RAL and woodgrain colors available
CS40	Aluminum	0.7	0.28	4	12.8	

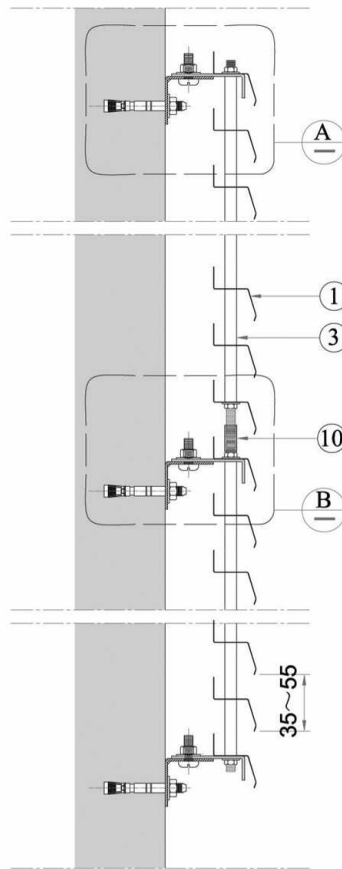


A DETAIL

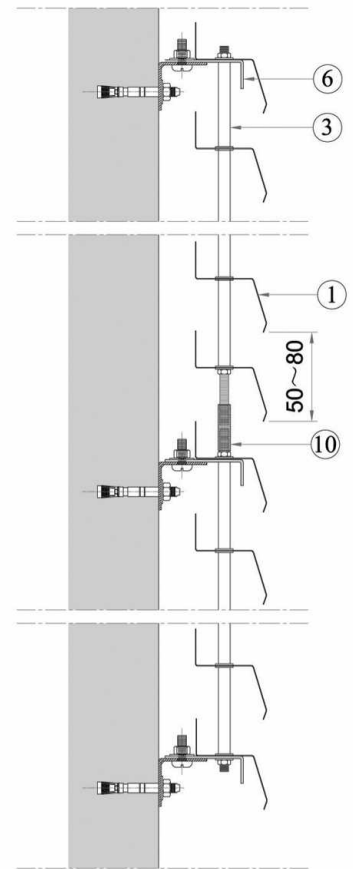


B DETAIL

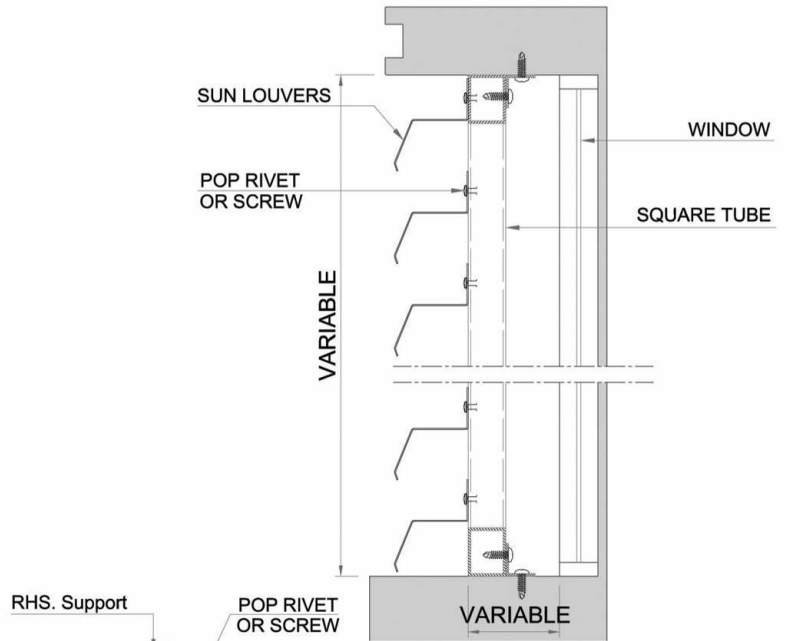
- 6. ZINC COATED PROFILE 60 x 25 x 2
- 7. L50*50*3 THK. BRACKET
- 8. M8x65 STUD ANCHOR
- 9. M6x20 BOLT
- 10. CONNECTOR



CS23-SECTION



CS40-SECTION



CS23/40-SECTION

• Applicable on all sites and all shapes

