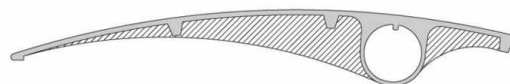


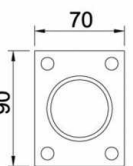
COMBINATING DETAILS



2mm THK. ALUMINUM PANEL
PERFORATION OR NON-PERFORATION



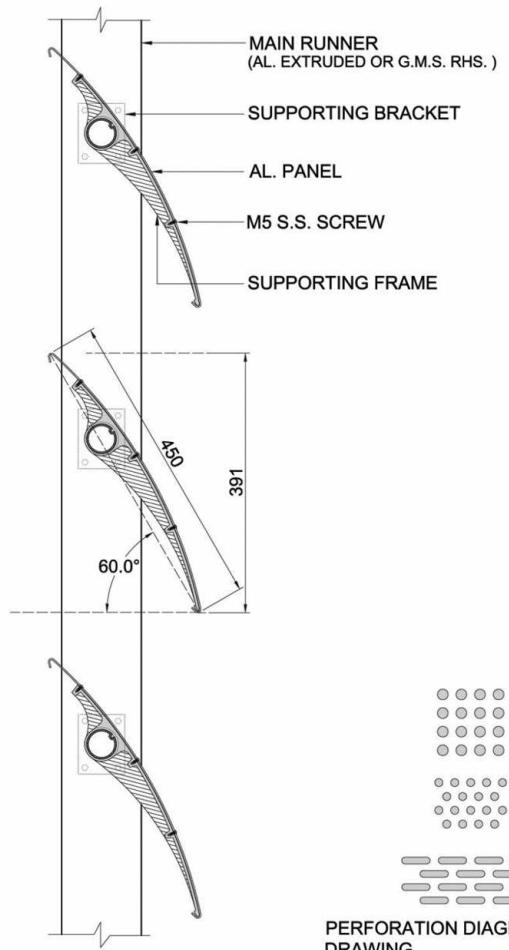
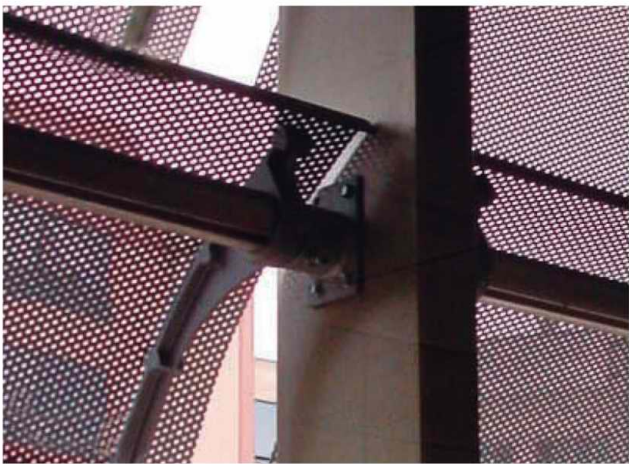
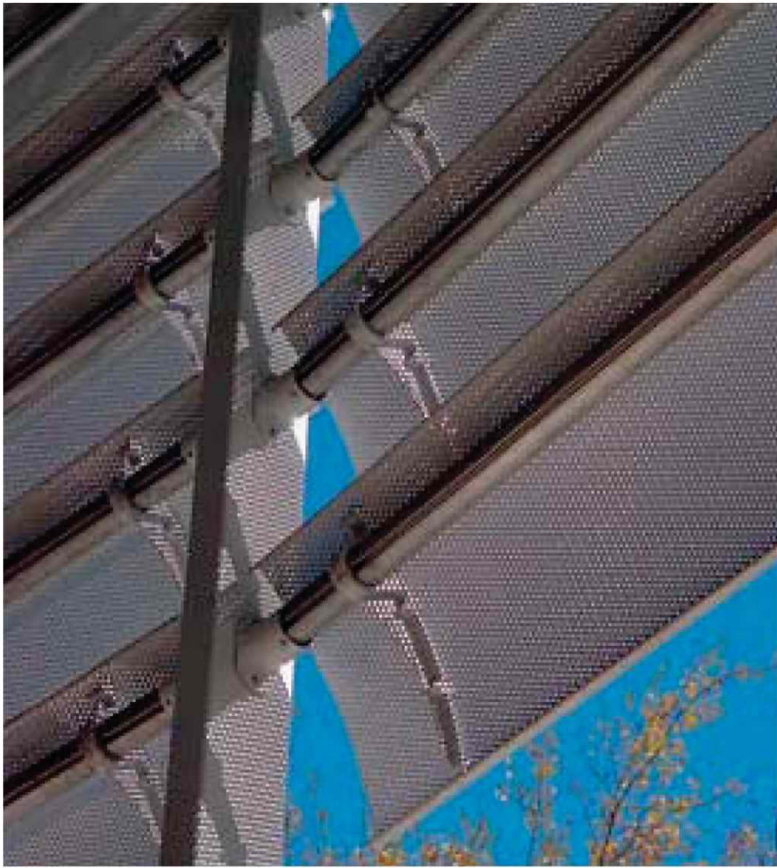
SUPPORT FRAME
(CAST AL. MEMBER)



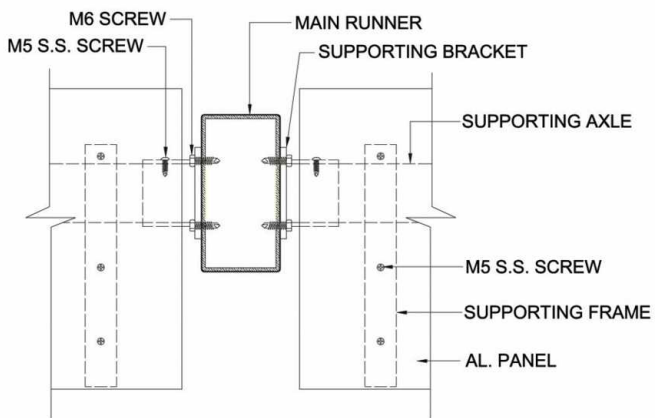
SUPPORTING BRACKET
(CAST AL. MEMBER)



SUPPORTING AXLE
(AL. EXTRUDED)



LENGTHWAYS SECTION



TRANSVERSAL SECTION

