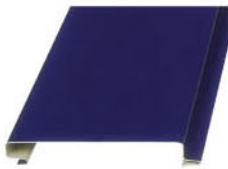


F SERIES LINEAR CEILING



150mm



200mm

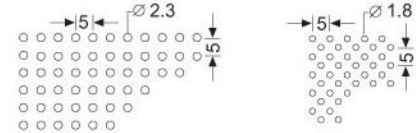
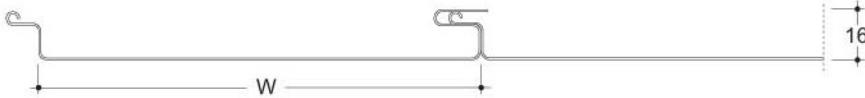


250mm



300mm

CROSS VIEW OF PANEL



DIMENSIONS & WEIGHTS

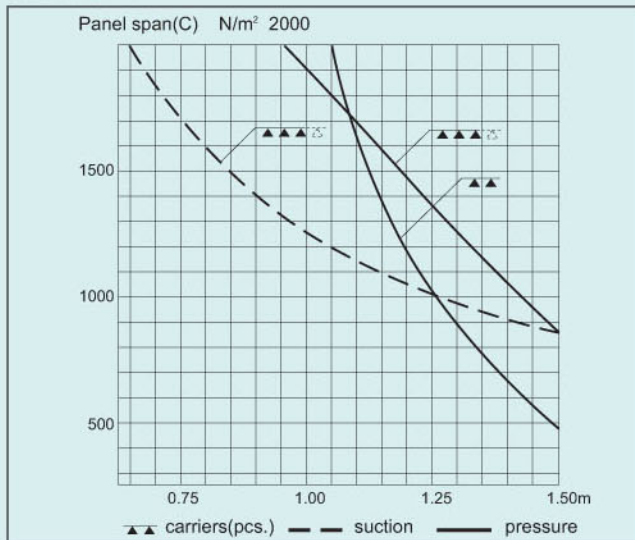
Panel	Width	Thickness (mm)	Min. Length	Max. Length	Weight panels & carrier/m ² *
150F	150	0.6	1000	6000	2.8kg
200F	200	0.7	1000	6000	3.1kg
250F	250	0.8	1000	6000	3.4kg
300F	300	0.8	1000	6000	3.7kg

* Based on panels installed on 3 or more carriers with a windload (pressure) of 1500 N/m²
Panels from 250-1000 mm and >6000mm are available on request.

MAXIMUM SPANS

PANEL SPAN(C)

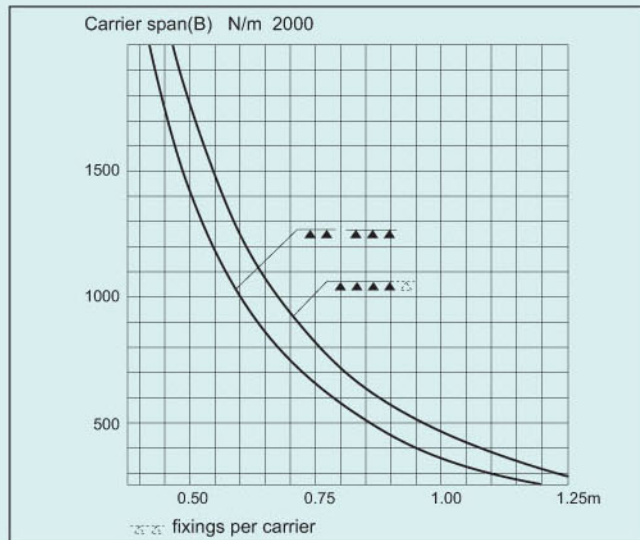
The panel spans, in relation to the wind load (pressure or suction), can be calculated from the graph adjacent. At 1500 N/m² the maximum panel span for 150F is 1.18m on 3 or more carriers.



Note: For corners, roof edges, special designs etc, wind pressure/suction shall be determined with due consideration to the relevant local country's Standard Codes of Building Practice.

CARRIER SPAN(B)

Before establishing the fixing distance of the carriers, the load per lineal meter carrier is to be determined by applying the formulas in the table under the carrier span graph.



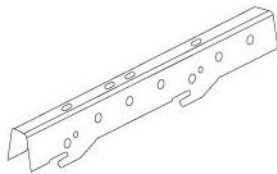
Panels installed on:	Calculation of 'load per lineal meter carrier'
2 carriers	0.5 q x panel span (C) in m
3 carriers	1.25 q x panel span (C) in m
4 or more carriers	1.15 q x panel span (C) in m

q = windload in N/m² (uniformly distributed loads)

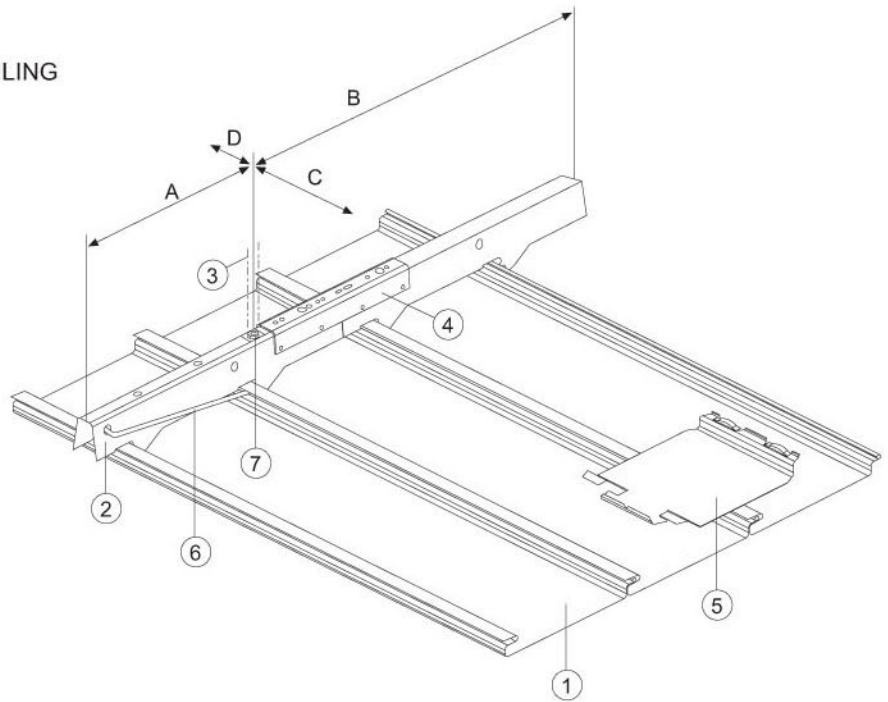
The carrier span (screw distance) (B) can be read from the graph adjacent in the same way as the panel span.

SYSTEM OVERVIEW F SERIES LINEAR CEILING 150F/200F/250F/300F CEILING SYSTEM

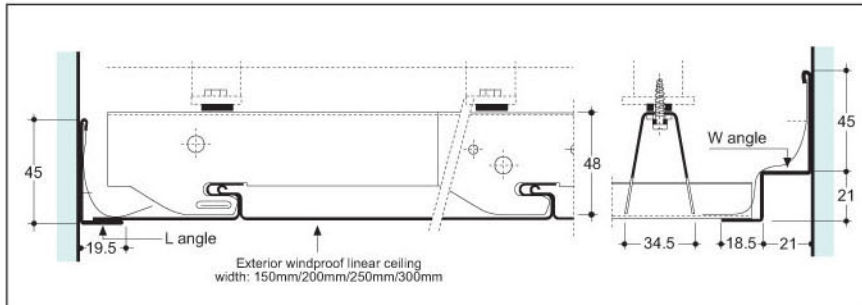
- 1=150F/200F/250F/300F panel
- 2=150F or 200F carrier
- 3=non DEXONE rigid suspension
- 4=carrier splice
- 5=panel splice
- 6=U-bracket
- 7=Washer set



Carrier for exterior windproof linear ceiling



STANDARD CONSTRUCTION DETAILS



PRACTICAL APPLICATIONS

The neat closed joints present a smooth uninterrupted appearance.

Panel length made to measure up to 6000mm, allowing swift installation and reducing the need for panel joints.

Panels can be secured to the carrier by using U-brackets, providing a very rigid system which is able to withstand extreme wind suction (over 2000N/m²). Panels are made from a corrosion resistant aluminium alloy, which makes the panels strong and resistant to corrosion.

For installations requiring combinations of 150F and 200F panels a screw clamp is available.

Curved ceilings can be achieved by using screw clamps.

PVDF coating on high-qualified static powder coating, guarantees colour stability and high resistance against scratches and corrosion.

