

## TC SERIES LINEAR CEILING

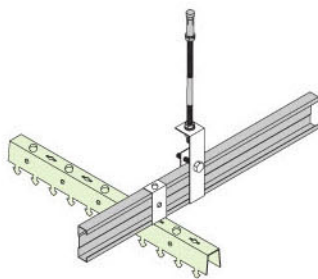
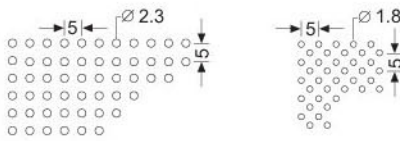
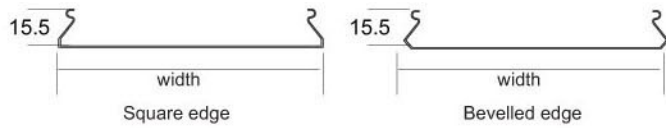
Material: aluminum  
 Surface treatment: powder coating or pre-painted  
 Thickness: 0.5-1.0mm  
 Color: RAL color and wooden grain colors are available for choice  
 Plain and perforated panels are optional, for perforated panels with black felt, sound absorption



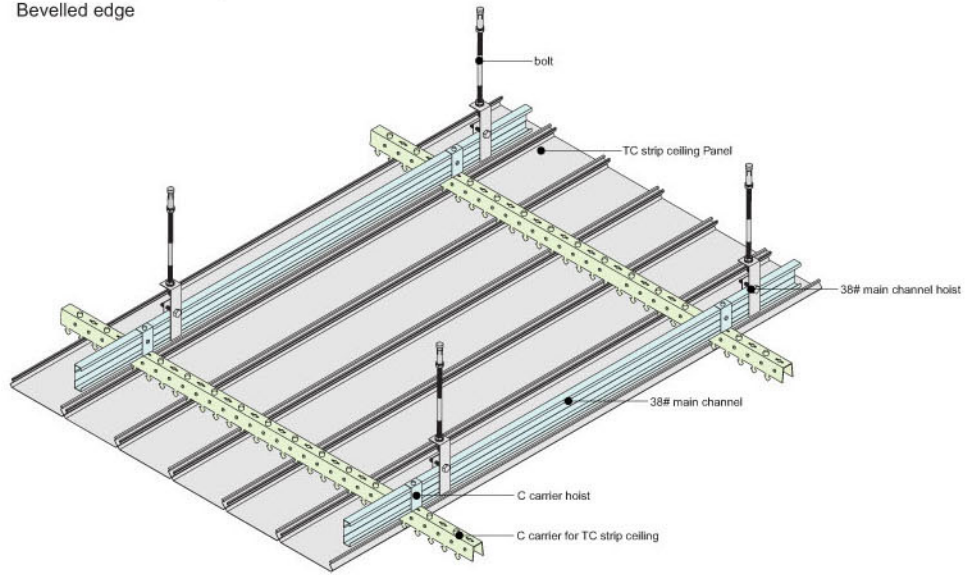
### TC SERIES LINEAR CEILING

unit:mm

Width	Height	Thickness	Length
75	15.5	0.5-1.0	On request
100			
150			
200			
300			



TC strip ceiling Carrier installation drawing



Structure and installation for TC strip ceiling

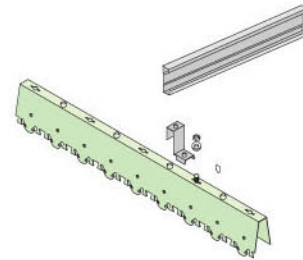
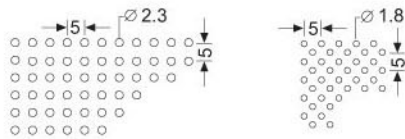
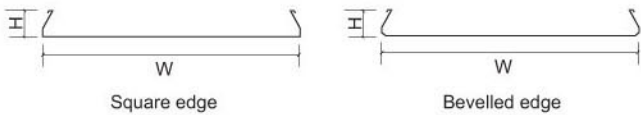
<p><b>C CARRIER</b>                  Material: steel                  Surface treatment: Powder coating                  Spec.: 32x16mm                  Length: 3000mm or on request                  Thickness: 1.0mm or on request</p>	<p><b>C CARRIER HOIST</b>                  Material: steel                  Surface treatment: galvanized steel                  Length: 22mm                  Thickness: 0.5 mm</p>	<p><b>38# MAIN CHANNEL</b>                  Material: steel                  Surface treatment: galvanized steel                  Spec.: 38x12mm                  Length: 3000mm or on request                  Thickness: 0.8mm</p>	<p><b>38# MAIN CHANNEL HOIST</b>                  Material: steel                  Surface treatment: galvanized steel                  Height: 95/105mm                  Thickness: 1.0mm</p>	
<p><b>BOLT</b>                  Material: steel                  Surface treatment: galvanized steel                  Length: 1000mm or 3000mm on request                  Thickness: 6/8mm</p>	<p><b>MAIN CHANNEL CONNECTOR</b>                  Material: steel                  Surface treatment: galvanized steel                  Height: 41/53mm                  Thickness: 1.0mm</p>	<p><b>U ANGLE</b>                  Material: Aluminum alloy                  Surface treatment: Powder coating                  Spec.: 16x38x16mm                  Length: 3000mm or on request                  Thickness: 0.6mm or on request</p>	<p><b>WINDPROOF L SHAPED WALL ANGLE</b>                  Material: Aluminum alloy                  Surface treatment: Powder coating                  Spec.: 25x25mm                  Length: 3000mm or on request                  Thickness: 0.6mm or on request</p>	<p><b>WINDPROOF W SHAPED WALL ANGLE</b>                  Material: Aluminum alloy                  Surface treatment: Powder coating                  Spec.: 24x11x11x24mm                  Length: 3000mm or on request                  Thickness: 0.6mm or on request</p>

## TS SERIES WINDPROOF LINEAR CEILING

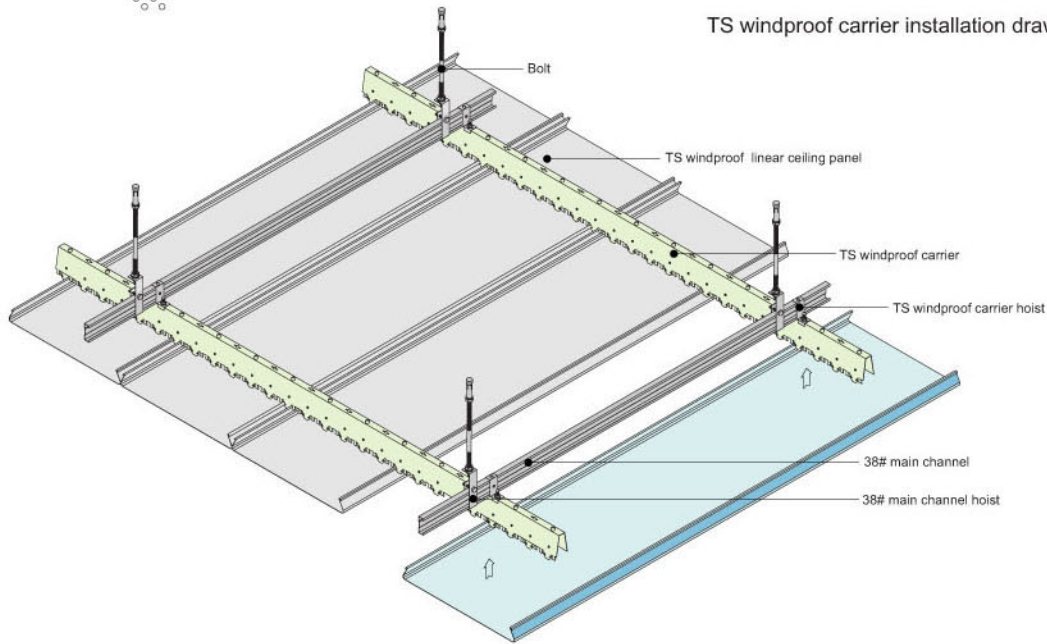
Material: aluminum  
 Surface treatment: powder coating or pre-painted  
 Thickness: 0.7-1.0mm  
 Color: RAL color and wooden grain colors are available for choice  
 Plain and perforated panels are optional, for perforated panels with black felt, sound absorption

## TS SERIES WINDPROOF LINEAR CEILING unit:mm


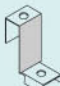
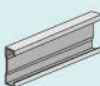



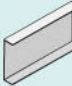


Width	Height	Thickness	Length	remarks
200	30	0.7-1.0	On request	bevelled edge
300				
200	28	0.7-1.0	On request	square edge
300	30			



TS windproof carrier installation drawing



## Structure and installation for TS windproof Linear ceiling

 <p><b>TS WINDPROOF CARRIER</b>                  Material: steel                  Surface treatment: Powder coating                  Height: 50mm                  Length: 3000mm or on request.                  Thickness: 0.7mm</p>	 <p><b>TS WINDPROOF CARRIER HOIST</b>                  Material: steel                  Surface treatment: galvanized steel                  Length: 22mm                  Thickness: 0.5 mm</p>	 <p><b>38# MAIN CHANNEL</b>                  Material: steel                  Surface treatment: galvanized steel                  Spec.: 38x12mm                  Length: 3000mm or on request                  Thickness: 0.8mm</p>	 <p><b>38# MAIN CHANNEL HOIST</b>                  Material: steel                  Surface treatment: galvanized steel                  Height: 95/105mm                  Thickness: 1.0mm</p>	
 <p><b>BOLT</b>                  Material: steel                  Surface treatment: galvanized steel                  Length: 1000mm or 3000mm on request                  Thickness: 6/8mm</p>	 <p><b>MAIN CHANNEL CONNECTOR</b>                  Material: steel                  Surface treatment: galvanized steel                  Height: 41/53mm                  Thickness: 1.0mm</p>	 <p><b>U ANGLE</b>                  Material: Aluminum alloy                  Surface treatment: Powder coating                  Spec.: 16x38x16mm                  Length: 3000mm or on request                  Thickness: 0.6mm or on request</p>	 <p><b>WINDPROOF L SHAPED WALL ANGLE</b>                  Material: Aluminum alloy                  Surface treatment: Powder coating                  Spec.: 25x25mm                  Length: 3000mm or on request                  Thickness: 0.6mm or on request</p>	 <p><b>WINDPROOF W SHAPED WALL ANGLE</b>                  Material: Aluminum alloy                  Surface treatment: Powder coating                  Spec.: 24x11x1x24mm                  Length: 3000mm or on request                  Thickness: 0.6mm or on request</p>





## TG SERIES LINEAR CEILING

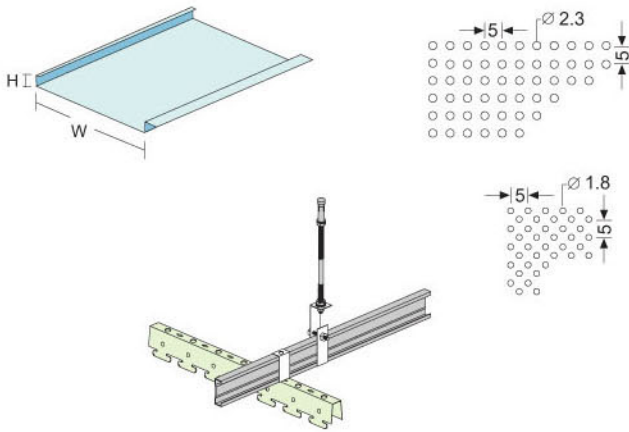
Material: aluminum

Surface treatment: powder coating or pre-painted

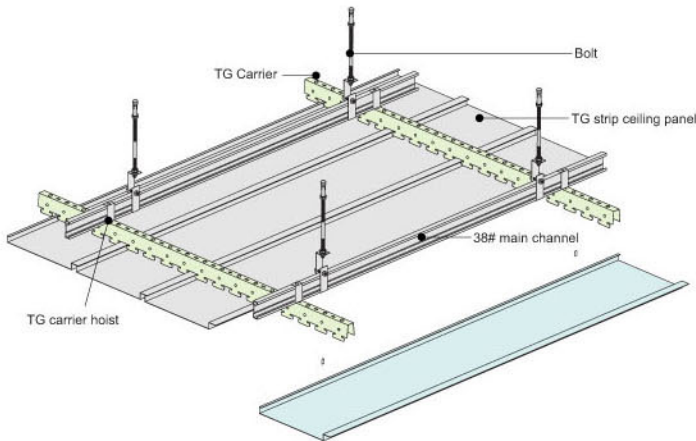
Thickness: 0.5-1.2mm

Color: RAL color and wooden grain colors are available for choice

Plain and perforated panels are optional, for perforated panels with black felt, sound absorption



TG ceiling carrier installation drawing



Structure and installation drawing for TG linear ceiling

### TG linear ceiling

unit:mm

Width	Height	Thickness	Length	illustration
100	11.5	0.5-1.0	On request	
200				
300				

### TH-A linear ceiling

unit:mm

Width	Height	Thickness	Length	illustration
150	30	0.6-1.2	On request	
200				
250				
300				
350				
400				
550				

### TH-B linear ceiling

unit:mm

Width	Height	Thickness	Length	illustration
150	20	0.5-0.9	On request	
200				
300				

### TF linear ceiling(groove)

unit:mm

Width	Height	Thickness	Length	illustration
125	12	0.5-0.8	On request	

### TF linear ceiling

unit:mm

Width	Height	Thickness	Length	illustration
180	18	0.6-0.8	On request	
280	18	0.6-1.0		

<p><b>TG CARRIER</b> Material: steel Surface treatment: Powder coating Spec.: 30*16mm Length: 3000mm or on request. Thickness: 0.7mm</p>	<p><b>TG CARRIER HOIST</b> Material: steel Surface treatment: galvanized steel Length: 22mm Thickness: 0.5 mm</p>	<p><b>38# MAIN CHANNEL</b> Material: steel Surface treatment: galvanized steel Spec.: 38x12mm Length: 3000mm or on request Thickness: 0.8mm</p>	<p><b>38# MAIN CHANNEL HOIST</b> Material: steel Surface treatment: galvanized steel Height: 95/105mm Thickness: 1.0mm</p>
<p><b>BOLT</b> Material: steel Surface treatment: galvanized steel Length: 1000mm or 3000mm on request Thickness: 6/8mm</p>	<p><b>MAIN CHANNEL CONNECTOR</b> Material: steel Surface treatment: galvanized steel Height: 41/53mm Thickness: 1.0mm</p>	<p><b>U ANGLE</b> Material: Aluminum alloy Surface treatment: Powder coating Spec.: 16x38x16mm Length: 3000mm or on request Thickness: 0.6mm or on request</p>	<p><b>WINDPROOF L SHAPED WALL ANGLE</b> Material: Aluminum alloy Surface treatment: Powder coating Spec.: 25x25mm Length: 3000mm or on request Thickness: 0.6mm or on request</p>
		<p><b>WINDPROOF W SHAPED WALL ANGLE</b> Material: Aluminum alloy Surface treatment: Powder coating Spec.: 24x11x1x24mm Length: 3000mm or on request Thickness: 0.6mm or on request</p>	



