

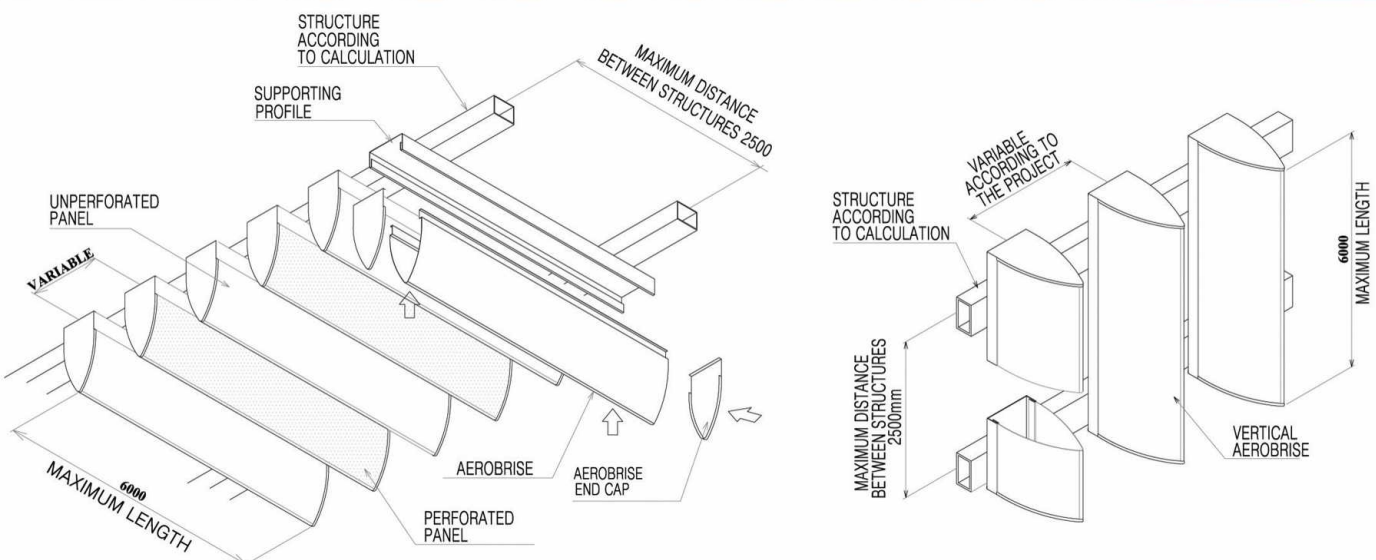
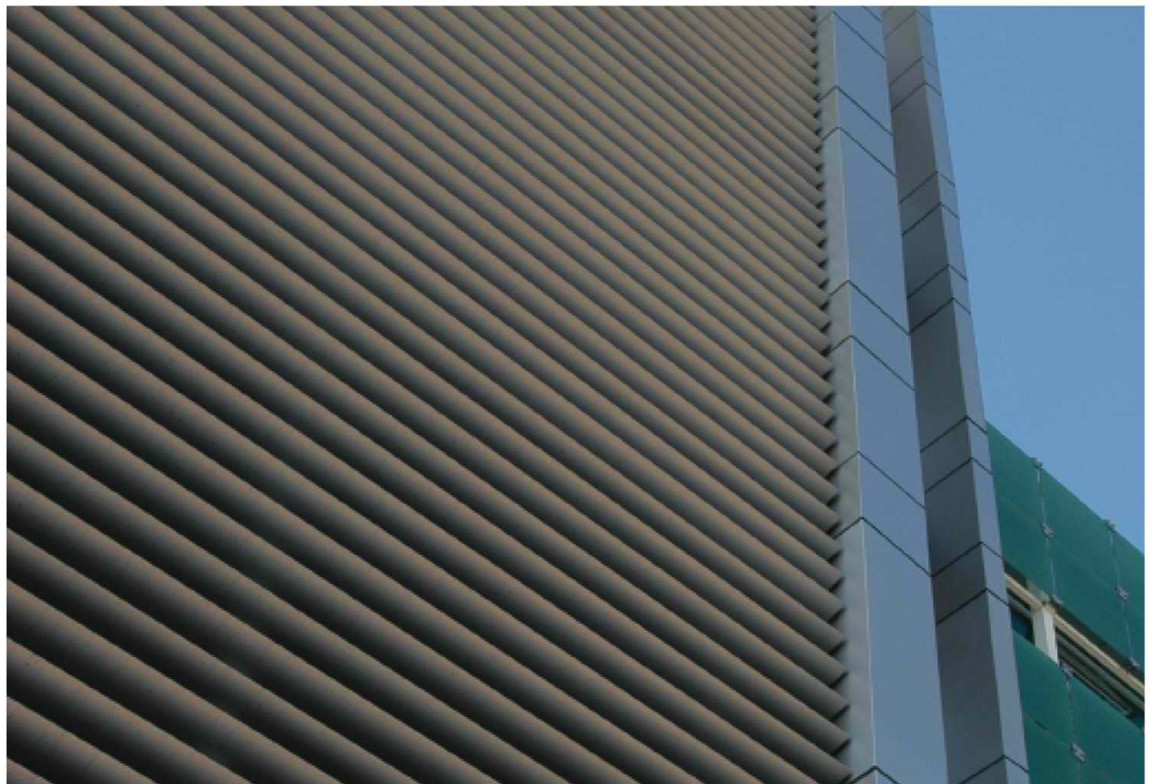
Description :

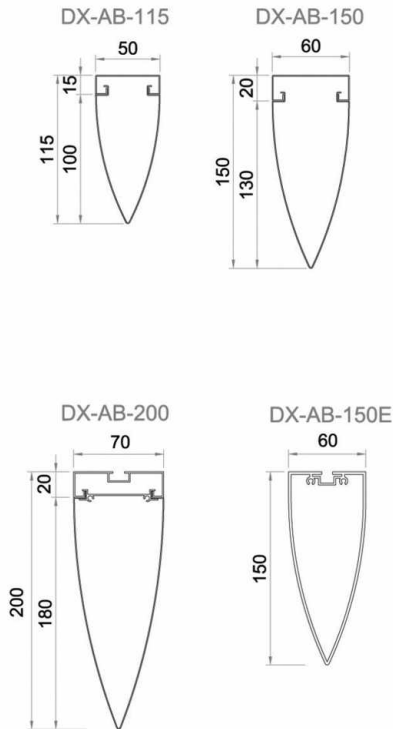
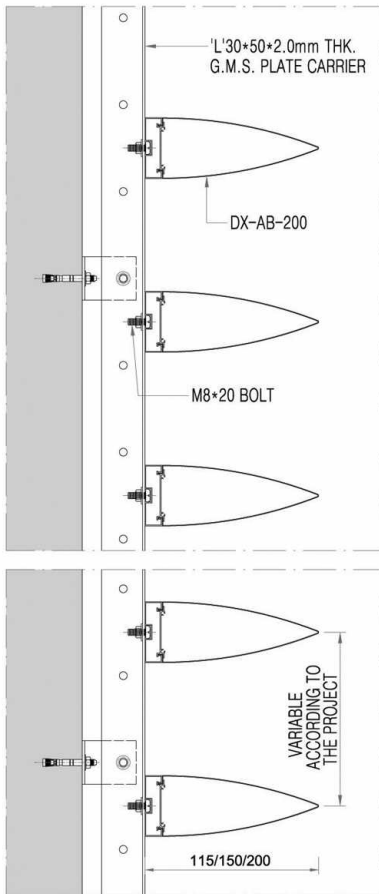
DEXONE AB series Aerobrise Sun Louvers are in half elliptical shape. AB series have three types: aluminum panel Aerobrise, mixed combined Aerobrise and aluminum extrusion Aerobrise.

- Aluminum panel Aerobrise is made up of 0.6~0.8mm aluminum panel, consisting of Aerobrise, supporting profile and Aerobrise endcap. Width 115mm and 150mm, maximum length 3000mm, surface can be PVDF spraying or powder coating. With elegant outline, light weight, low cost, easy to install. It can be installed to the frame or wall by M5 screw.

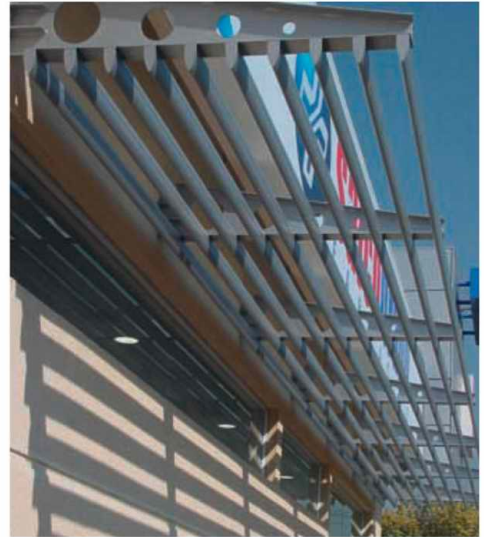
- Mixed combined Aerobrise consists of aluminum panel and aluminum extrusion. Aerobrise is made of 0.6~0.8mm aluminum panel, support profile is made of aluminum extrusion. Width 150mm and 200mm, maximum length 3000mm. Surface can be PVDF spraying or powder coating. There is dedicated slot in supporting profile, fixed by M8 to L30 × 50 × 2.0mm thick GMS Plate carrier. Safe structure, easy to install, it can be used as sun louvers or metal ceiling.

- Aluminum extrusion Aerobrise is single extrusion, thickness 2.0mm, width 150mm, maximum length 5.8meter, surface can be PVDF spraying, powder coating or anodized. Elegant outline, high strength, it is widely used for the distance between two carriers over 2500mm.





PRODUCT DETAILS



DESCRIPTION		MATERIAL	THICKNESS	RECOMMENDED MAX. LENGTH		MAXIMUM DISTANCE BETWEEN CARRIERS	COLORS
				mm	m		
CARRIER		Aluminum Or G.M.S. STRUCTURE ACCORDING TO CALCULATION		5.8	19.03	2500	Various RAL and woodgrain colors available
AEROBRISE PANEL			Aluminum	0.6	2.9	9.515	VARIABLE ACCORDING TO THE PROJECT
DX-AB115		0.7					
DX-AB150		1.0+0.7					
DX-AB200		2.0		5.8	19.03		
DX-AB150E							

